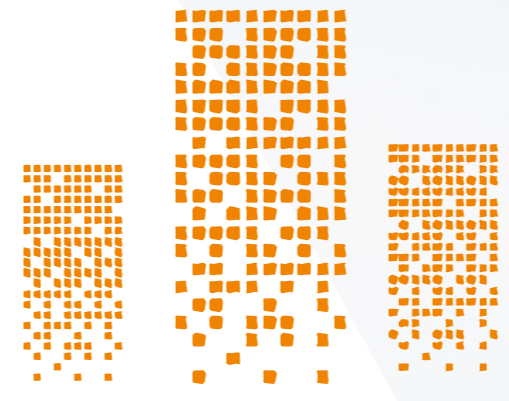


专注高品质



科技，给未来  
*Technology changes the future*

# 新达科技

全国服务热线

☎ 020-83717854

广州市新达电子科技有限公司

地址：广州市天河区科林路18号6栋301-260房

Add: Room 301-260, Building 6, No. 18 Kelin Road, Tianhe District, Guangzhou

CN:www.gzcyndar.cn EN:www.gzcyndar.com

COMPREHENSIVE  
CATALOG OF SENSORS

## 传感器综合目录

安全光幕/安全激光雷达/安全地垫/安全触边/安全继电器  
Safety light curtain/safety lidar/safety mat/safety edge/safety relay

## 通用型安全光幕-CCT Universal safety light curtain

- 超快响应速度 < 15ms
- 能有效屏蔽99%干扰信号
- 极性、短路、过载保护、自检
- 累计突破200,000+对
- Ultra-fast response speed < 15ms
- Can effectively shield 99% of interference signals
- Polarity, short circuit, overload protection, self-check
- Cumulative breakthrough 200,000+ pairs

广泛适用于压力机、液压机、油压机、剪板机、自动门等80%以上设备及其他危险场合。

It is widely used in more than 80% equipment such as presses, hydraulic presses, hydraulic presses, shears, automatic doors and other dangerous occasions.



### CCT系列安全光幕 CCT series safety light curtain

- ★ 自检功能完善：当安全传感器出现故障时，确保不向所控制的电器发送错误的信号；
- ★ 抗干扰能力强：系统对电磁信号，频闪灯光，焊接弧光及周围的光源具有良好的抗干扰能力；
- ★ 安装调试方便，配线简单，外形美观；
- ★ 采用表面贴装技术，防震性能优越；
- ★ 符合国际电工学会IEC61496-1/2标准安全等级，TUV的CE认证；
- ★ 响应时间短（≤15ms），安全可靠性能高；
- ★ 尺寸设计30mm\*30mm，安全传感器可以通过航空插座与电缆线（M12）链接；
- ★ 所有电子元器件均采用全球知名品牌配件。
- ★ Perfect self-check function: When the safety screen protector fails, ensure that the wrong signal is not sent to the controlled electrical appliances.
- ★ Strong anti-interference ability: The system has good anti-interference ability to electromagnetic signal, stroboscopic light, welding arc and surrounding light source;
- ★ Easy installation and debugging, simple wiring, beautiful appearance;
- ★ Surface mounting technology is adopted, which has superior seismic performance.
- ★ It conforms to IEC61496-1/2 standard safety grade and TUV CE certification.
- ★ The corresponding time is short (≤15ms), and the safety and reliability performance is high.
- ★ The dimension design is 30mm\*30mm. The safety sensor can be connected to the cable (M12) through the air socket.
- ★ All electronic components adopt world-renowned brand accessories.

### ◆ 产品配置 Product configuration

发光器、受光器和传输线组成。  
The light emitter, the light receiver and the transmission line are composed.

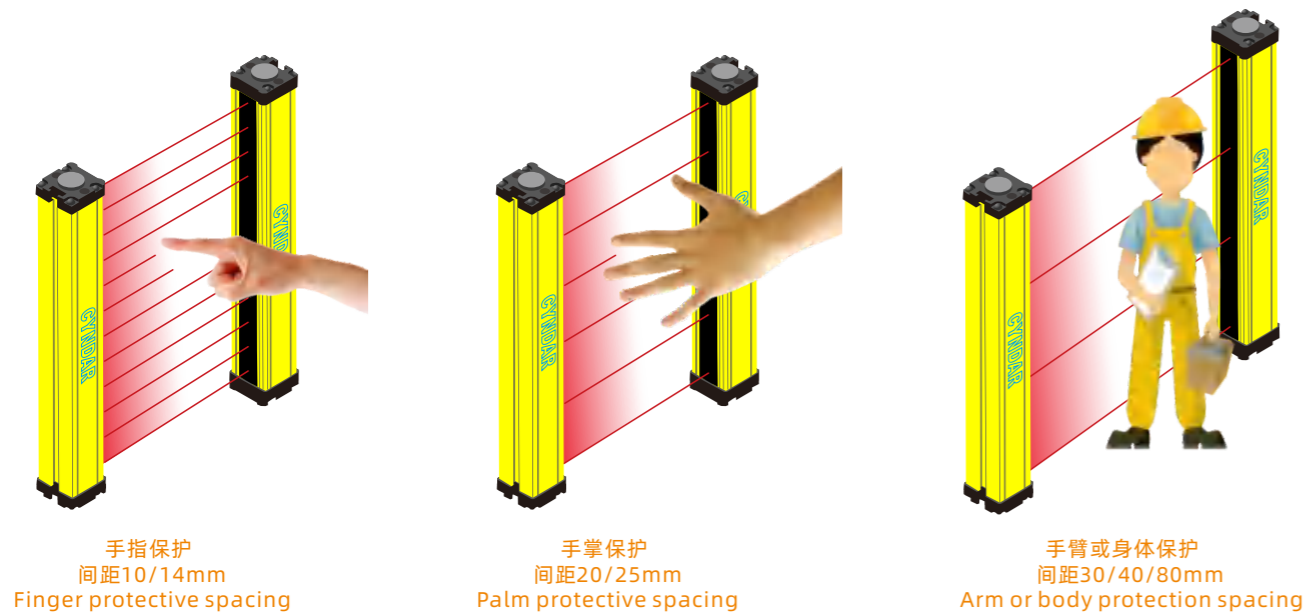


四芯(3m)五芯(3.5m)数据线  
4 core (3m) 5 core (3.5m)  
data cable



可定制任何角度的异形光幕  
Customizable light curtains of any angle  
can be customized

## 分辨率 Resolving power



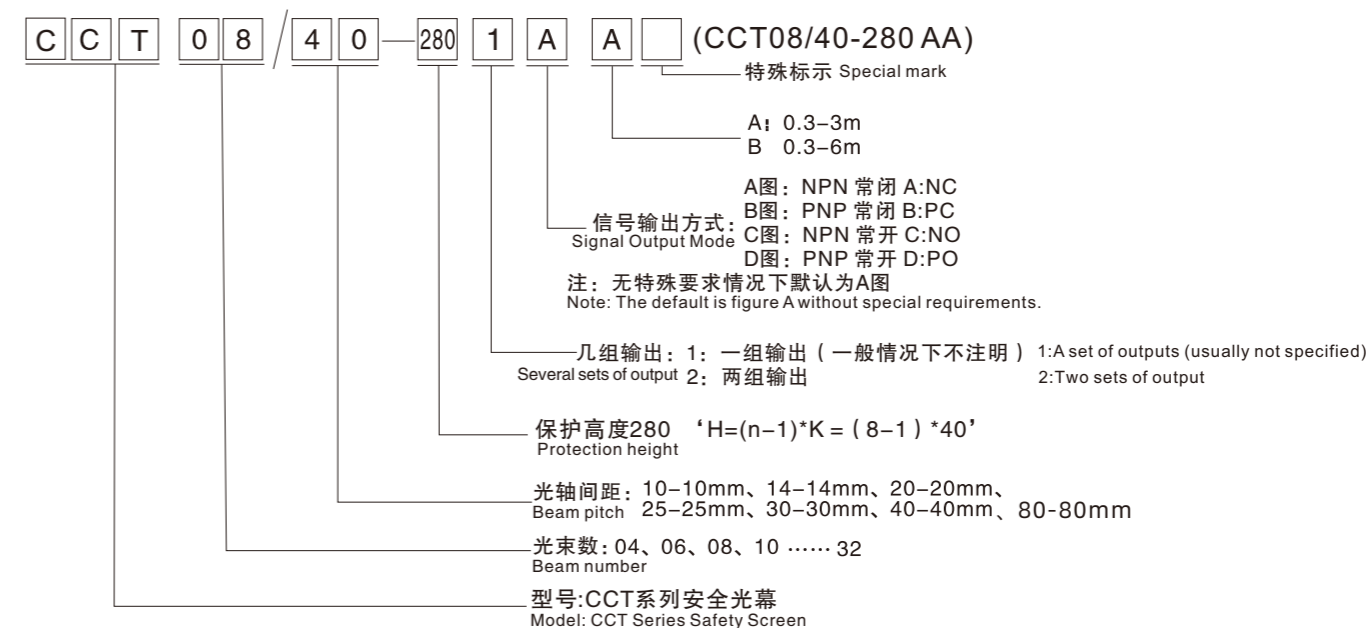
## 产品技术参数 Technical parameters of products

光幕形式 Light curtain form	对射式 Counter shooting						
光轴间距 Beam pitch	10mm	14mm	20mm	25mm	30mm	40mm	80mm
检测精度 Check the accuracy	18mm	22mm	28mm	33mm	38mm	48mm	88mm
光束数 Beam number	6、8...32	6、8...32	4、6...32	6、8...32	4、6...32	4、6...32	4、6...32
保护高度 Height of protection	光轴间距 Beam pitch X (光束数 Beam number - 1)						
检测距离 Detection distance	30 ~ 3000mm、30 ~ 6000mm						
响应时间 Response time	≤15ms						
抗光干扰 Anti light interference	10000Lux (入射角 Incidence angle ≥ 5°)						
外形尺寸 Outline size	30 × 30 × Lmm (L为发光器/受光器长度 L is the length of light emitter/receiver)						
防护等级 Protection level	IP65						
控制器 Controller	QCA QCA2						
电源电压 Supply voltage	DC12/24V AC110~220V (继电器输出 Relay output)						
消耗电流 Consumption current	≤200mA						
输出 Output	NPN/PNP型, 灌入电流500mA, 电压1.5v以下, 极性、短路、过载保护 NPN/PNP type, with current 500 mA and voltage less than 1.5 v, polarity, short circuit and overload protection						
输出状态 Output state	ON (接收指示灯 Receiving Indicator Green Light)						
指示灯 Indicator light	投光器: 电源指示灯 (红色); 受光器: 输出指示灯 透光 (绿色) 遮光 (红色) Projector: Power indicator (red); Receiver: Output indicator (green) shading (red)						
光源 Light source	调制红外LED Modulated Infrared LED						
连接方式 Connection mode	圆形航空插座, 配专用连接电缆, 投光器4芯, 受光器5芯 Circular aviation socket with special connecting cable, 4 cores of projector and 5 cores of receiver						
壳体材料 Shell material	铝合金, 端盖: ABS增强尼龙 Aluminum alloy, end cover: ABS reinforced nylon						
耐环境光 Environmental light resistance	白炽光: 受光面照度3000Lx; 太阳光: 受光面照度10000Lx Incandescent light: illumination of the receiving surface 3000Lx; sunlight: illumination of the receiving surface 10000Lx						
环境温度 Ambient temperature	工作时: -10~+40℃ (但不结冰), 保存时: -25~+55℃ When working: -10 ~ +40 C (but not freezing), when preserved: -25 ~ +55 C						
环境湿度 Ambient humidity	工作时: 35~85%RH, 保存时: 35~95%RH Work: 35~85% RH, save: 35~95% RH						

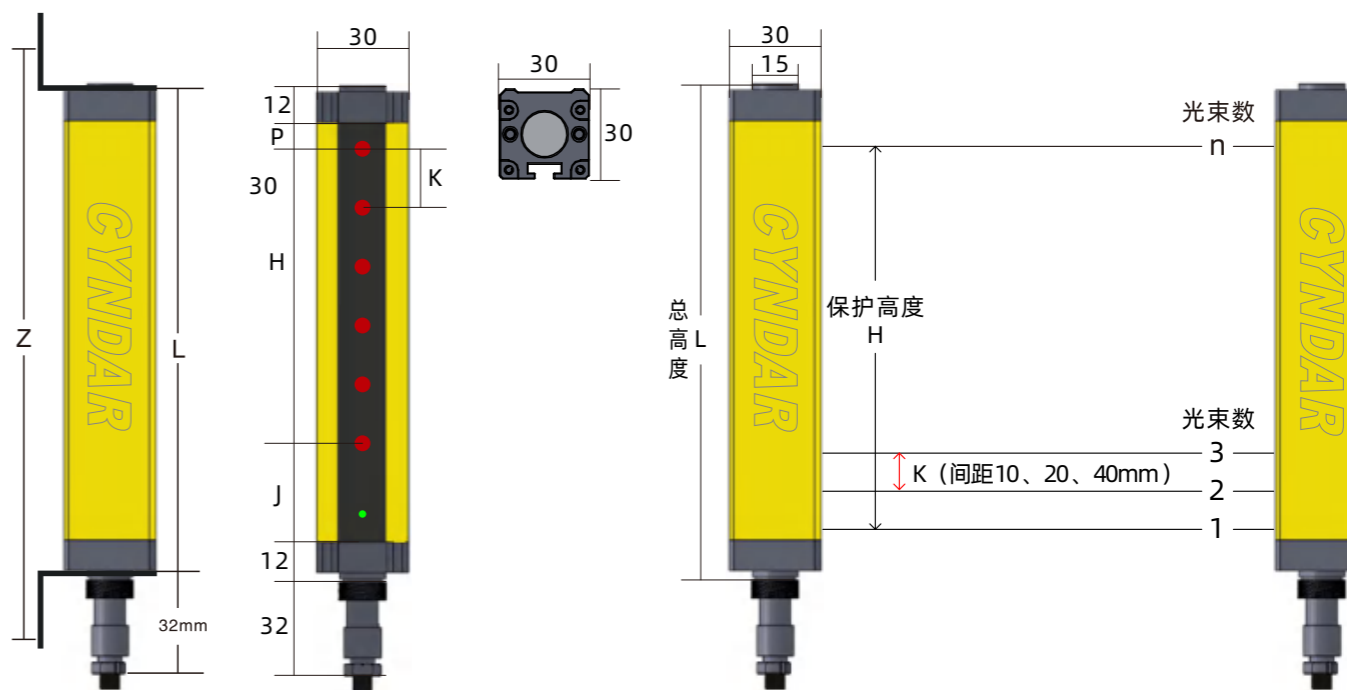
## CCT型安全光幕规格表说明如下:

The specifications of CCT type safety screen are as follows

单位 Unit: mm



## 外形尺寸 Dimensions



备注: Remarks

H = (n-1) \* K = 保护高度  
Height of detection

L: 光幕总长度  
Total length of light screen

n: 光轴数  
Optical axis number

Z = L + 32mm = 上下直角架固定方式中心距离  
Center Distance of Fixed Mode of Upper and Lower Right Angle Frames

K: 光轴间距  
Optical axis spacing

L = P + H + J + 12mm + 12mm

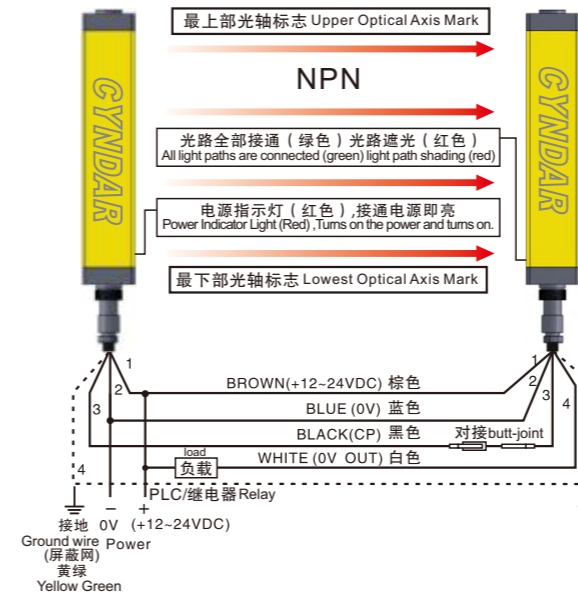
K (mm)	10	14	20	25	30	40	80
P (mm)	5	7	10	12.5	15	20	40
J (mm)	32	32	25	25	25	25	25

## CCT规格一览表 Specification List

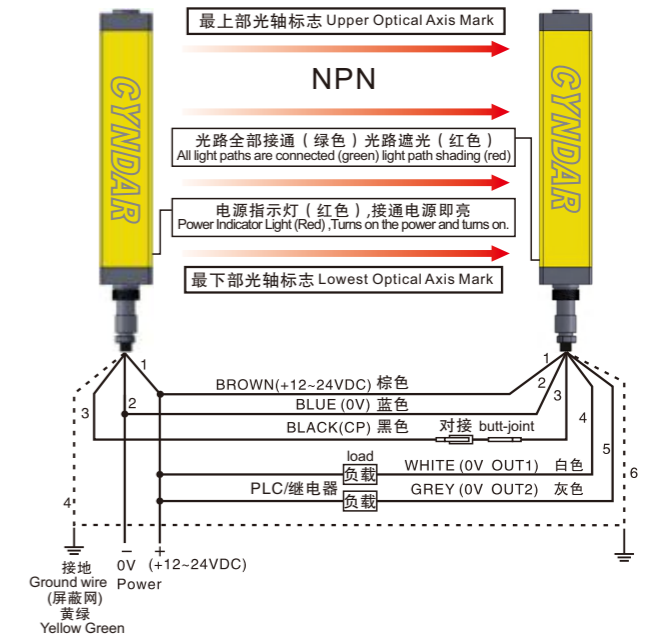
光轴间距 Beam pitch	光束数 Light beam	保护高度mm(H) Protection height	光幕高度mm(l) Screen height	产品型号 Product model	信号输出方式 Signal output mode				检测距离 Detection distance	
					NPN	PNP	NPN	PNP		
10mm (K)	6	50	111	CCT06/10-50	A	B	C	D	0.3-3m	
	8	70	131	CCT08/10-70	A	B	C	D	0.3-3m	
	10	90	151	CCT10/10-90	A	B	C	D	0.3-3m	
	12	110	171	CCT12/10-110	A	B	C	D	0.3-3m	
	14	130	191	CCT14/10-130	A	B	C	D	0.3-3m	
	16	150	211	CCT16/10-150	A	B	C	D	0.3-3m	
	18	170	231	CCT18/10-170	A	B	C	D	0.3-3m	
	20	190	251	CCT20/10-190	A	B	C	D	0.3-3m	
	22	210	271	CCT22/10-210	A	B	C	D	0.3-3m	
	24	230	291	CCT24/10-230	A	B	C	D	0.3-3m	
	26	250	311	CCT26/10-250	A	B	C	D	0.3-3m	
	28	270	331	CCT28/10-270	A	B	C	D	0.3-3m	
	30	290	351	CCT30/10-290	A	B	C	D	0.3-3m	
	32	310	371	CCT32/10-310	A	B	C	D	0.3-3m	
	14mm (K)	6	70	133	CCT06/14-70	A	B	C	D	0.3-3m
		8	98	161	CCT08/14-98	A	B	C	D	0.3-3m
10		126	189	CCT10/14-126	A	B	C	D	0.3-3m	
12		154	217	CCT12/14-154	A	B	C	D	0.3-3m	
14		182	245	CCT14/14-182	A	B	C	D	0.3-3m	
16		210	273	CCT16/14-210	A	B	C	D	0.3-3m	
18		238	301	CCT18/14-238	A	B	C	D	0.3-3m	
20		266	329	CCT20/14-266	A	B	C	D	0.3-3m	
22		294	357	CCT22/14-294	A	B	C	D	0.3-3m	
24		322	385	CCT24/14-322	A	B	C	D	0.3-3m	
26		350	413	CCT26/14-350	A	B	C	D	0.3-3m	
28		378	441	CCT28/14-378	A	B	C	D	0.3-3m	
30		406	469	CCT30/14-406	A	B	C	D	0.3-3m	
32		434	497	CCT32/14-434	A	B	C	D	0.3-3m	
20mm (K)		4	60	119	CCT04/20-60	A	B	C	D	0.3-3m
		6	100	159	CCT06/20-100	A	B	C	D	0.3-3m
	8	140	199	CCT08/20-140	A	B	C	D	0.3-3m	
	10	180	239	CCT10/20-180	A	B	C	D	0.3-3m	
	12	220	279	CCT12/20-220	A	B	C	D	0.3-3m	
	14	260	319	CCT14/20-260	A	B	C	D	0.3-3m	
	16	300	359	CCT16/20-300	A	B	C	D	0.3-3m	
	18	340	399	CCT18/20-340	A	B	C	D	0.3-3m	
	20	380	439	CCT20/20-380	A	B	C	D	0.3-3m	
	22	420	479	CCT22/20-420	A	B	C	D	0.3-3m	
	24	460	519	CCT24/20-460	A	B	C	D	0.3-3m	
	26	500	559	CCT26/20-500	A	B	C	D	0.3-3m	
	28	540	599	CCT28/20-540	A	B	C	D	0.3-3m	
	30	580	639	CCT30/20-580	A	B	C	D	0.3-3m	
	32	620	679	CCT32/20-620	A	B	C	D	0.3-3m	
	25mm (K)	6	125	186.5	CCT06/25-125	A	B	C	D	0.3-3m
8		175	236.5	CCT08/25-175	A	B	C	D	0.3-3m	
10		225	286.5	CCT10/25-225	A	B	C	D	0.3-3m	
12		275	336.5	CCT12/25-275	A	B	C	D	0.3-3m	
14		325	386.5	CCT14/25-325	A	B	C	D	0.3-3m	
16		375	436.5	CCT16/25-375	A	B	C	D	0.3-3m	
18		425	486.5	CCT18/25-425	A	B	C	D	0.3-3m	
20		475	536.5	CCT20/25-475	A	B	C	D	0.3-3m	
22		525	586.5	CCT22/25-525	A	B	C	D	0.3-3m	
24		575	636.5	CCT24/25-575	A	B	C	D	0.3-3m	
26		625	686.5	CCT26/25-625	A	B	C	D	0.3-3m	
28		675	736.5	CCT28/25-675	A	B	C	D	0.3-3m	
30		725	786.5	CCT30/25-725	A	B	C	D	0.3-3m	
32		775	836.5	CCT32/25-775	A	B	C	D	0.3-3m	
30mm (K)		4	90	154	CCT04/30-90	A	B	C	D	0.3-3m
		6	150	214	CCT06/30-150	A	B	C	D	0.3-3m
	8	210	274	CCT08/30-210	A	B	C	D	0.3-3m	
	10	270	334	CCT10/30-270	A	B	C	D	0.3-3m	
	12	330	394	CCT12/30-330	A	B	C	D	0.3-3m	
	14	390	454	CCT14/30-390	A	B	C	D	0.3-3m	
	16	450	514	CCT16/30-450	A	B	C	D	0.3-3m	
	18	510	574	CCT18/30-510	A	B	C	D	0.3-3m	
	20	570	634	CCT20/30-570	A	B	C	D	0.3-3m	
	22	630	694	CCT22/30-630	A	B	C	D	0.3-3m	
	24	690	754	CCT24/30-690	A	B	C	D	0.3-3m	
	26	750	814	CCT26/30-750	A	B	C	D	0.3-3m	
	28	810	874	CCT28/30-810	A	B	C	D	0.3-3m	
	30	870	934	CCT30/30-870	A	B	C	D	0.3-3m	
	32	930	994	CCT32/30-930	A	B	C	D	0.3-3m	
	40mm (K)	4	120	189	CCT04/40-120	A	B	C	D	0.3-3m
6		200	269	CCT06/40-200	A	B	C	D	0.3-3m	
8		280	349	CCT08/40-280	A	B	C	D	0.3-3m	
10		360	429	CCT10/40-360	A	B	C	D	0.3-3m	
12		440	509	CCT12/40-440	A	B	C	D	0.3-3m	
14		520	589	CCT14/40-520	A	B	C	D	0.3-3m	
16		600	669	CCT16/40-600	A	B	C	D	0.3-3m	
18		680	749	CCT18/40-680	A	B	C	D	0.3-3m	
20		760	829	CCT20/40-760	A	B	C	D	0.3-3m	
22		840	909	CCT22/40-840	A	B	C	D	0.3-3m	
24		920	989	CCT24/40-920	A	B	C	D	0.3-3m	
26		1000	1069	CCT26/40-1000	A	B	C	D	0.3-3m	
28		1080	1149	CCT28/40-1080	A	B	C	D	0.3-3m	
30		1160	1229	CCT30/40-1160	A	B	C	D	0.3-3m	
32		1240	1309	CCT32/40-1240	A	B	C	D	0.3-3m	
80mm (K)		4	240	329	CCT04/80-240	A	B	C	D	0.3-3m
	6	400	489	CCT06/80-400	A	B	C	D	0.3-3m	
	8	560	649	CCT08/80-560	A	B	C	D	0.3-3m	
	10	720	809	CCT10/80-720	A	B	C	D	0.3-3m	
	12	880	969	CCT12/80-880	A	B	C	D	0.3-3m	
	14	1040	1129	CCT14/80-1040	A	B	C	D	0.3-3m	
	16	1200	1289	CCT16/80-1200	A	B	C	D	0.3-3m	
	18	1360	1449	CCT18/80-1360	A	B	C	D	0.3-3m	
	20	1520	1609	CCT20/80-1520	A	B	C	D	0.3-3m	
	22	1680	1769	CCT22/80-1680	A	B	C	D	0.3-3m	
	24	1840	1929	CCT24/80-1840	A	B	C	D	0.3-3m	
	26	2000	2089	CCT26/80-2000	A	B	C	D	0.3-3m	
	28	2160	2249	CCT28/80-2160	A	B	C	D	0.3-3m	
	30	2320	2409	CCT30/80-2320	A	B	C	D	0.3-3m	
	32	2480	2569	CCT32/80-2480	A	B	C	D	0.3-3m	

备注：输出方式详见上一页规格说明，如无要求默认为A图。特殊规格可另外订做，检测距离达3-6米需提前说明。  
Note: The output mode is detailed in the specifications on the previous page. If there is no requirement, the default is figure A. special specifications can be customized separately, and the detection distance up to 3-6M needs to be specified in advance.

## CCT 四、五芯系列接线图 4、5-core series wiring diagram

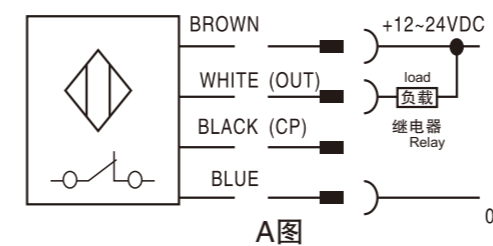


## CCT NPN双输出四芯、六芯接线图 CCT NPN dual output four core, six core wiring diagram

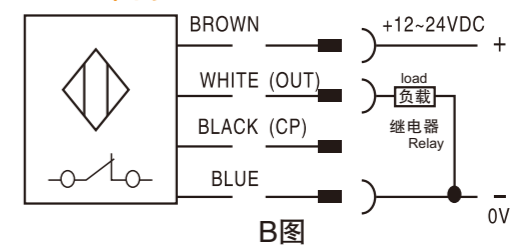


## CCT信号输出选择 (晶体管正常工作的实际输出) CCT signal output selection (actual output of transistor working normally)

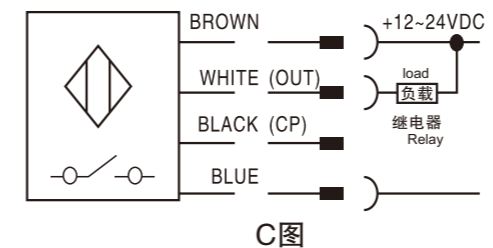
### NPN 常闭 NC



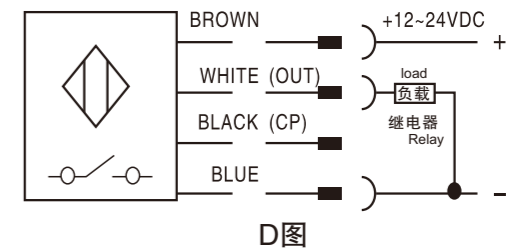
### PNP 常闭 PC



### NPN 常开 NO

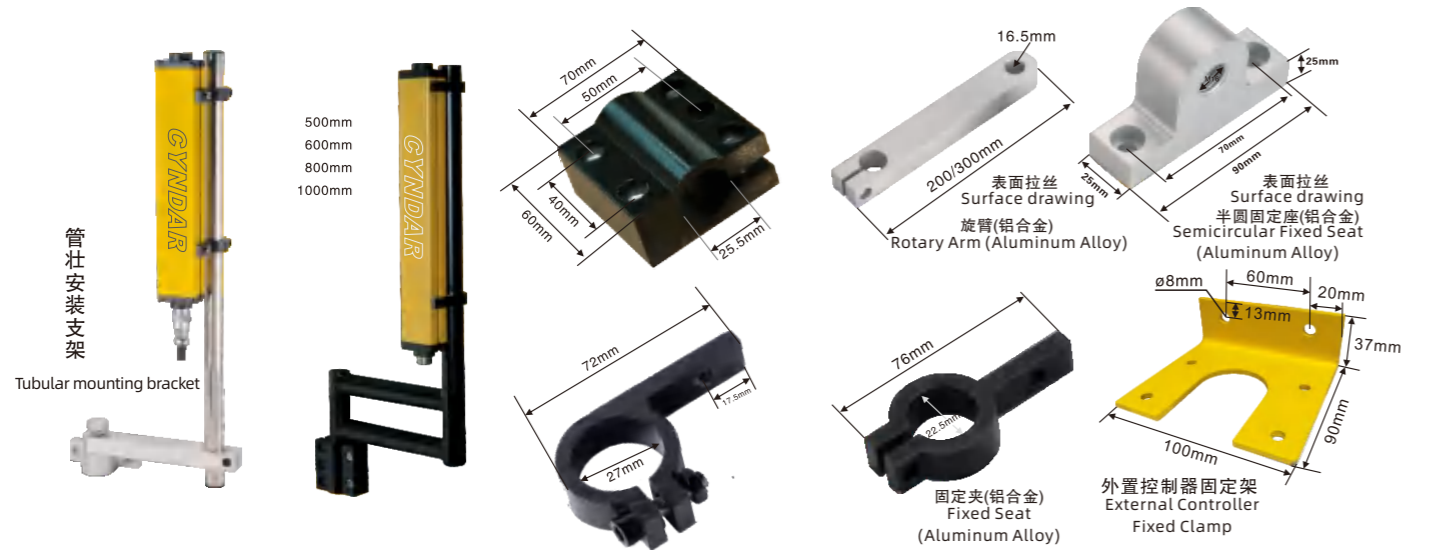
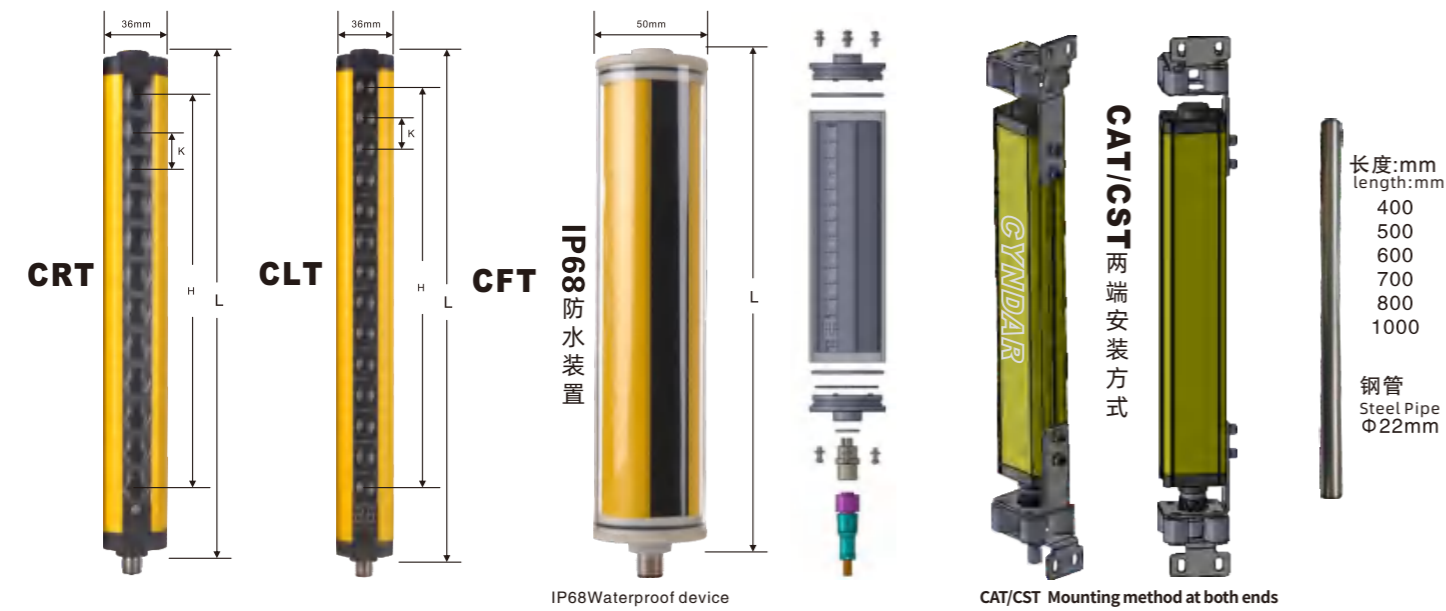


### PNP 常开 PO



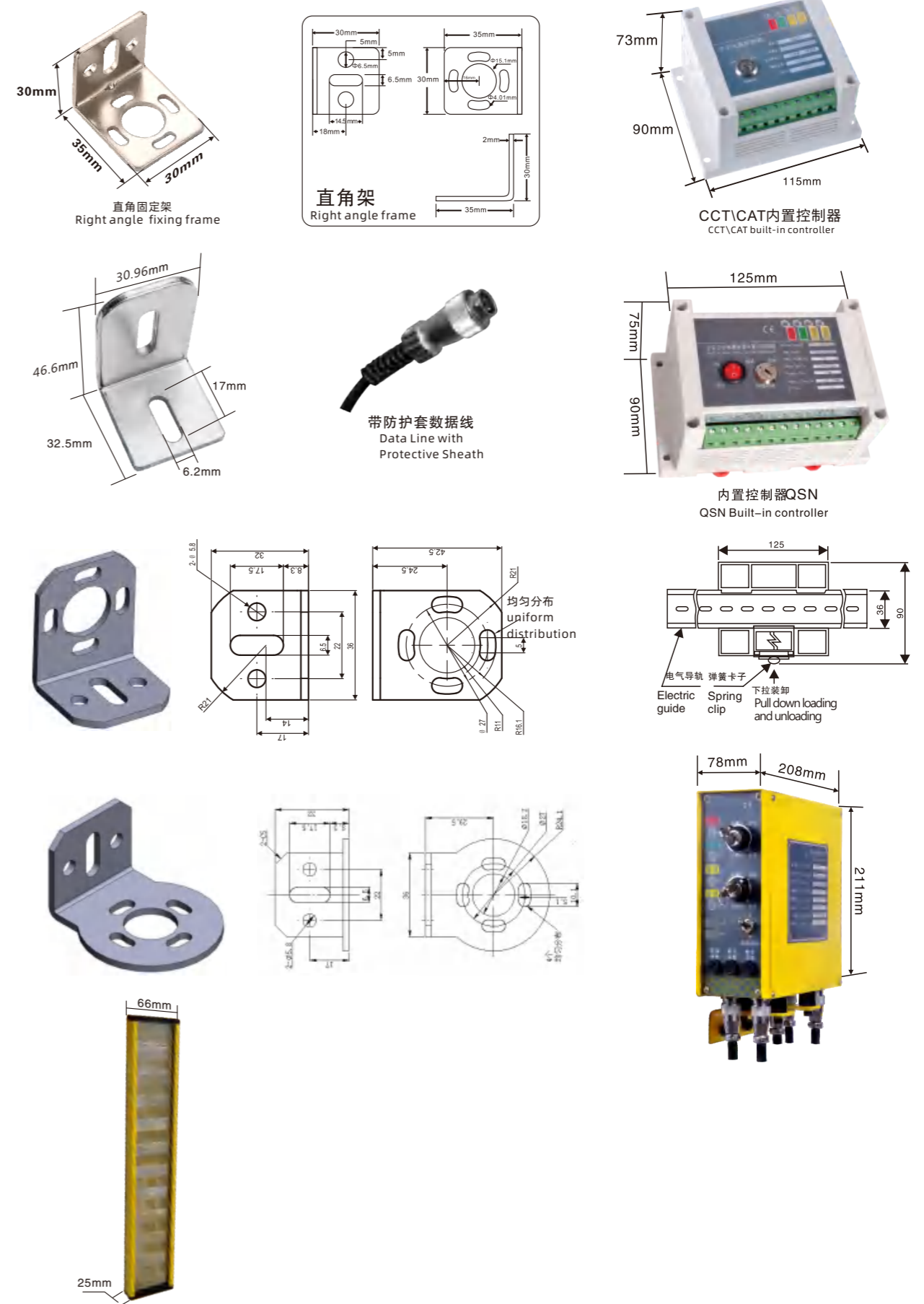
## ◆外观尺寸图

Appearance size chart



## ◆外观尺寸图

Appearance size chart



## 配件表 Accessory table

品名	形状 shape	型号 Model	描述 describe	备注 Remarks
内置式控制器		QCA	安装电控箱内与CCT、CAT安全光幕配套使用无源输出可直接接大功率负载 Installation of electronic control box with CCT, CAT safety light curtain and passive output can directly connect high-power load	选配件 Spare parts
内置式控制器		QET	安装电控箱内与CET、CTT安全光幕配套使用无源输出可直接接大功率负载 Installation of electronic control box with CET, CTT safety light curtain and passive output can directly connect high-power load	选配件 Spare parts
内置式控制器		QCA2	安装电控箱内与CCT、CAT安全光幕配套使用无源输出可直接接大功率负载 Installation of electronic control box with CCT, CAT safety light curtain and passive output can directly connect high-power load	选配件 Spare parts
内置式控制器		QSN	安装电控箱内与CST、CVT安全光幕配套使用无源输出可直接接大功率负载 Installation of electronic control box with CST, CVT safety light curtain and passive output can directly connect high-power load	选配件 Spare parts
内置式控制器		Tner-A31	安装电控箱内与CCT、CAT、CET、CTT双输出安全光幕配套使用无源输出可直接接大功率负载, 提供4组无源开关信号 Installation of electronic control box and CCT, CAT, CET, CTT double output safety light curtain matching use of passive output can directly connect high-power load, provide four groups of passive switching signals	选配件 Spare parts
内置式控制器		LCS-SRA/B	安装电控箱内与CCT、CAT、CET、CTT双输出安全光幕配套使用无源输出可直接接大功率负载, 提供4组无源开关信号 Installation of electronic control box and CCT, CAT, CET, CTT double output safety light curtain matching use of passive output can directly connect high-power load, provide four groups of passive switching signals	选配件 Spare parts
外置双面控制器		QSW5	安装机器侧面QSW双继电器无源输出 Install machine side QSW Dual relay passive output	选配件 Spare parts
外置单面控制器		QSW5	安装机器侧面QSW双继电器无源输出 Install machine side QSW Dual relay passive output	选配件 Spare parts
控制器固定架		QCA-06	用于CST外置控制器固定架 For CST external controller mounting bracket	标配件 Standard

五针五芯电缆		QSN543 QA543	五针Φ16航空接头带2.5x3.56m屏蔽电缆发射、接收单元 Five-pin Φ16 aviation joint with 2.5x3.56m shielded cable transmitting and receiving unit	标配件 Standard
		QSN545 QA545	五针Φ16航空接头带5m屏蔽电缆接收单元 Five-pin Φ16 aviation joint with 5m shielded cable	选配件 Spare parts
		QSN5410 QA5410	五针Φ16航空接头带10m屏蔽电缆接收单元 Five-pin Φ16 aviation joint with 10m shielded cable	选配件 Spare parts
五针五芯电缆		QSW543	五针Φ16航空接头带3m屏蔽电缆接收单元 Five-pin Φ16 aviation joint with 3m shielded cable	标配件 Standard
		QSW545	五针Φ16航空接头带5m屏蔽电缆接收单元 Five-pin Φ16 aviation joint with 5m shielded cable	选配件 Spare parts
		QSW5410	五针Φ16航空接头带10m屏蔽电缆接收单元 Five-pin Φ16 aviation joint with 10m shielded cable	选配件 Spare parts
七针七芯数据电缆		QVW543	七孔Φ16航空接头带3m屏蔽电缆接收单元 seven-hole Φ16 aviation joint with 3m shielded cable	标配件 Standard
		QVW545	七孔Φ16航空接头带5m屏蔽电缆接收单元 seven-hole Φ16 aviation joint with 5m shielded cable	选配件 Spare parts
		QVW5410	七孔Φ16航空接头带10m屏蔽电缆接收单元 seven-hole Φ16 aviation joint with 10m shielded cable	选配件 Spare parts
五针五芯电缆		QC543	五针Φ12航空接头带3m屏蔽电缆接收单元 Five-pin Φ12 aviation joint with 3m shielded cable Receiver	标配件 Standard
		QC545	五针Φ12航空接头带5m屏蔽电缆接收单元 Five-pin Φ12 aviation joint with 5m shielded cable Receiver	选配件 Spare parts
		QC5410	五针Φ12航空接头带10m屏蔽电缆接收单元 Five-pin Φ12 aviation joint with 10m shielded cable Receiver	选配件 Spare parts
四孔四芯电缆		QC433	四孔Φ12航空接头带3m屏蔽电缆接收单元 Four-hole Φ12 aviation joint with 3m shielded cable	标配件 Standard
		QC435	四孔Φ12航空接头带5m屏蔽电缆接收单元 Four-hole Φ12 aviation joint with 5m shielded cable	选配件 Spare parts
		QC4310	四孔Φ12航空接头带10m屏蔽电缆接收单元 Four-hole Φ12 aviation joint with 10m shielded cable	选配件 Spare parts
七针七芯数据电缆		QT702	七针Φ16航空接头带2m屏蔽电缆外置控制器 seven-pin Φ16 aviation joint with 2m External controller	标配件 Standard
		QT703	七针Φ16航空接头带3m屏蔽电缆外置控制器 seven-pin Φ16 aviation joint with 3m External controller	选配件 Spare parts
		QT705	七针Φ16航空接头带5m屏蔽电缆外置控制器 seven-pin Φ16 aviation joint with 5m External controller	选配件 Spare parts
七针七芯数据电缆		QE702	七针Φ16航空接头带2m屏蔽电缆外置控制器 seven-pin Φ16 aviation joint with 2m External controller	标配件 Standard
		QE703	七针Φ16航空接头带3m屏蔽电缆外置控制器 seven-pin Φ16 aviation joint with 3m External controller	选配件 Spare parts
		QE705	七针Φ16航空接头带5m屏蔽电缆外置控制器 seven-pin Φ16 aviation joint with 5m External controller	选配件 Spare parts

CLMR-06

## 配件表 Accessory table

七孔七芯数据电缆		QSW702	七孔Φ16航空接头带2m屏蔽电缆外置控制器 seven-hole Φ16 aviation joint with 2m data cable	标配件 Standard
		QSW703	七孔Φ16航空接头带3m屏蔽电缆外置控制器 seven-hole Φ16 aviation joint with 3m data cable	选配件 Spare parts
		QSW705	七孔Φ16航空接头带5m屏蔽电缆外置控制器 seven-hole Φ16 aviation joint with 5m data cable	选配件 Spare parts
五孔五芯数据电缆		QM/QR QZ/QB 503	五孔Φ12航空接头带3m屏蔽电缆接收单元 five-hole Φ12 aviation joint with 3m data cable	标配件 Standard
		QM/QR QZ/QB 505	五孔Φ12航空接头带5m屏蔽电缆接收单元 five-hole Φ12 aviation joint with 5m data cable	选配件 Spare parts
		QM/QR QZ/QB 508	五孔Φ12航空接头带8m屏蔽电缆接收单元 five-hole Φ12 aviation joint with 8m data cable	选配件 Spare parts
七孔七芯数据电缆		QL/QM 503	七孔Φ12航空接头带3m屏蔽电缆接收单元 seven-hole Φ12 aviation joint with 3m data cable	标配件 Standard
		QL/QM 505	七孔Φ12航空接头带5m屏蔽电缆接收单元 seven-hole Φ12 aviation joint with 5m data cable	选配件 Spare parts
		QL/QM 508	七孔Φ12航空接头带8m屏蔽电缆接收单元 seven-hole Φ12 aviation joint with 8m data cable	选配件 Spare parts
二孔四孔数据电缆		QG2403	二孔、四孔Φ12航空接头带3m屏蔽电缆接收单元 two-hole, four-hole Φ12 aviation joint with 3m data cable	标配件 Standard
		QG2405	二孔、四孔Φ12航空接头带5m屏蔽电缆接收单元 two-hole, four-hole Φ12 aviation joint with 5m data cable	选配件 Spare parts
		QG2408	二孔、四孔Φ12航空接头带8m屏蔽电缆接收单元 two-hole, four-hole Φ12 aviation joint with 8m data cable	选配件 Spare parts
不锈钢管支架		QCA-01	用于CCT、CAT管状安装方式 For CCT, CAT tubular installation	标配件 Standard
T形螺丝		QCA-02	用于CCT、CAT侧面滑槽安装方式 For CCT, CAT side chute installation	标配件 Standard
凸形螺母		QCA-03	用于CCT、CAT侧面滑槽安装方式 For CCT, CAT side chute installation	标配件 Standard

注: 标配件...免费配送 选配件...需单独购买 标配件: QCA-02 QCA-03 QCA-04 任选一款, CST型: QCA-01为标配件。  
Note: Standard accessories... Free distribution. Optional accessories... Need to be purchased separately. Standard accessories: QCA-02, QCA-03, QCA-04 Optional one, QS type: QCA-01 is the standard accessory.

直角架		QCA-04	用于CCT、CAT两头安装方式 For CCT, CAT side chute installation	标配件 Standard
侧面直角架		QCA-05	用于CCT/CAT/CST侧面固定 For CCT/CAT/CST side fixing	标配件 Standard
直角架		QLMR-06	用于CLT、CMT、CR两头安装方式 For CLT, CMT, CR two-head installation	标配件 Standard
直角架		QRFT-07	用于CRFT两头安装方式 For CRFT two-head installation	标配件 Standard
高强度管状支架		QSA-07	用于CST、CAT管状安装方式 For CST, CAT tubular installation	标配件 Spare parts
侧面直角架		QSA-08	用于CST/CAT/CVT/CTT侧面安装方式 For CST/CAT/CVT/CTT Side mounting method	标配件 Spare parts
正面直角架		QSA-09	用于CST/CAT/CVT/CTT正面安装方式 For CST/CAT/CVT/CTT Frontal mounting method	标配件 Spare parts
反射装置		QSA-10	用于CST/CAT/CVT/CTT两面或三面反射器的配件 For CST/CAT/CVT/CTT Accessories for 2 or 3-sided reflectors	标配件 Spare parts